

A Upper Mid Rail
2" x 3-1/2" x 95-1/2"

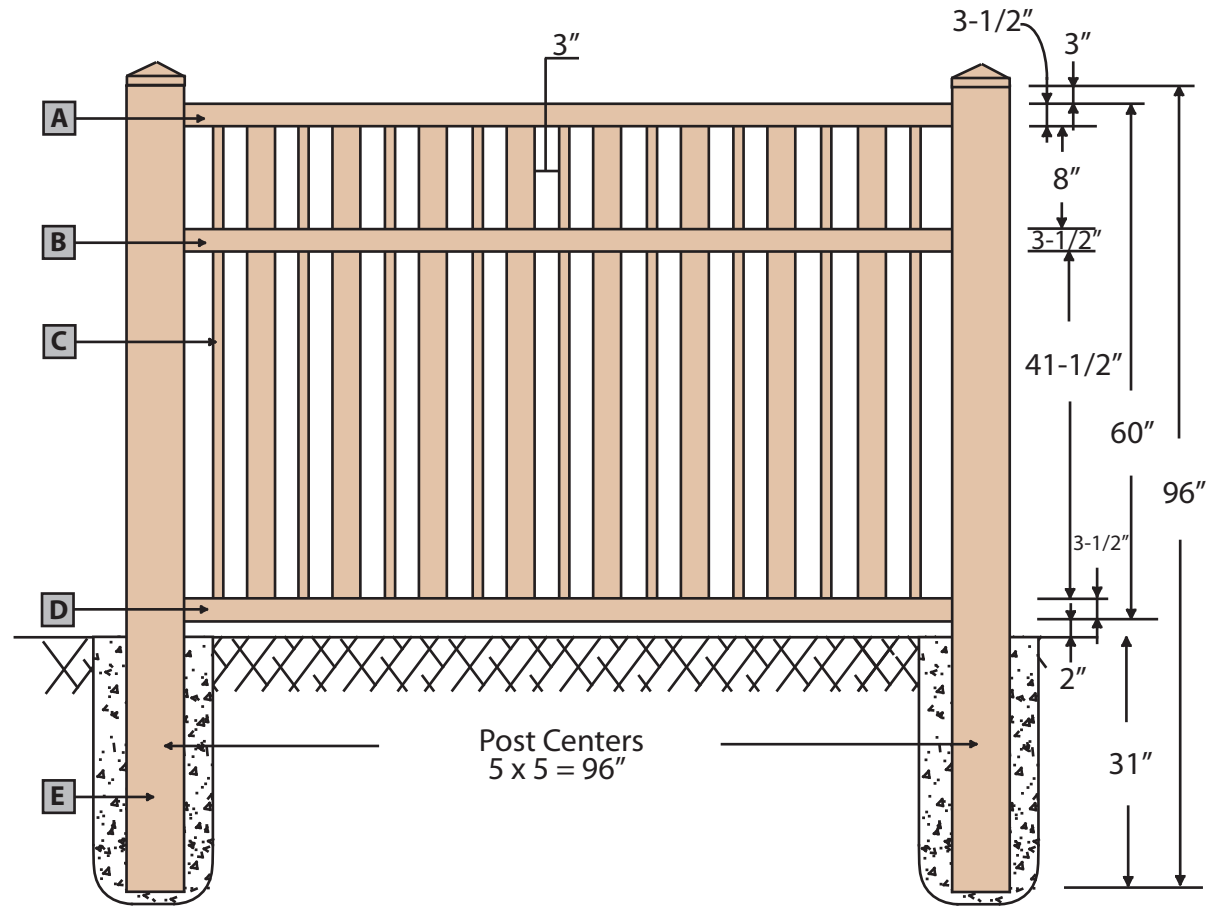
B Mid Rail
2" x 3-1/2" x 95-1/2"

C Pickets
9 Pcs. of 3/4" x 1-1/2" x 57-7/8"
8 Pcs. of 7/8" x 3" x 57-7/8"

D Bottom Rail
2" x 3-1/2" x 95-1/2" (Includes
Reinforcement Channel.)

E Post
5" x 5" x 96"

SPS Zachary 8'x5' Section



Generations by Stephens Pipe

SPS Zachary 8'x5' Section

Approved By

Revision NO.

Approved Date

Effective Date

Drawing NO.

PVC-ZAC-ST8x5