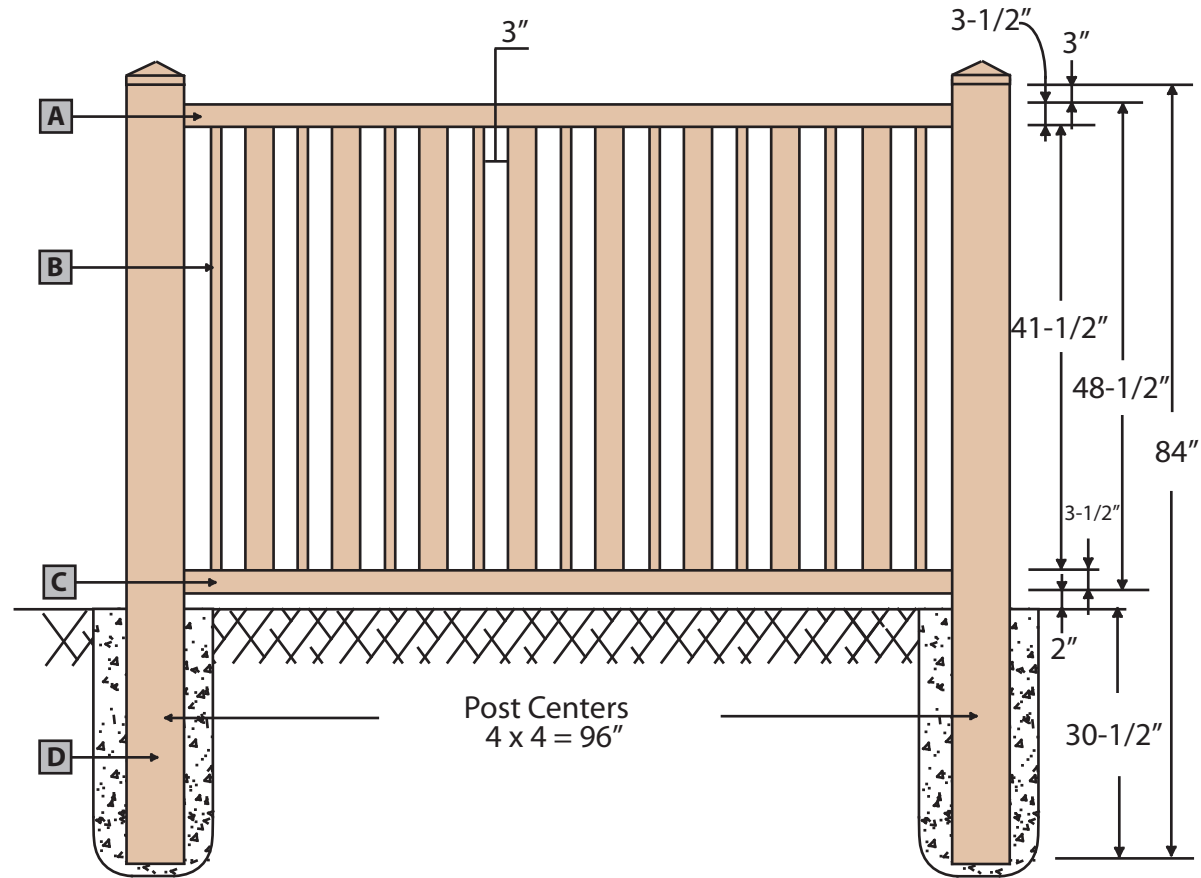


- A** Top Rail
2" x 3-1/2" x 95-1/2"
- B** Pickets
9 Pcs. of 3/4" x 1-1/2" x 46-1/4"
8 Pcs. of 7/8" x 3" x 46-1/4"
- C** Bottom Rail
2" x 3-1/2" x 95-1/2" (Includes
Reinforcement Channel.)
- D** Post
4" x 4" x 84"

SPS Zachary 8'x4' Section



Generations by Stephens Pipe

SPS Zachary 8'x4' Section

Approved By	Revision NO.
Approved Date	Effective Date

Drawing NO.
PVC-ZAC-ST8x4