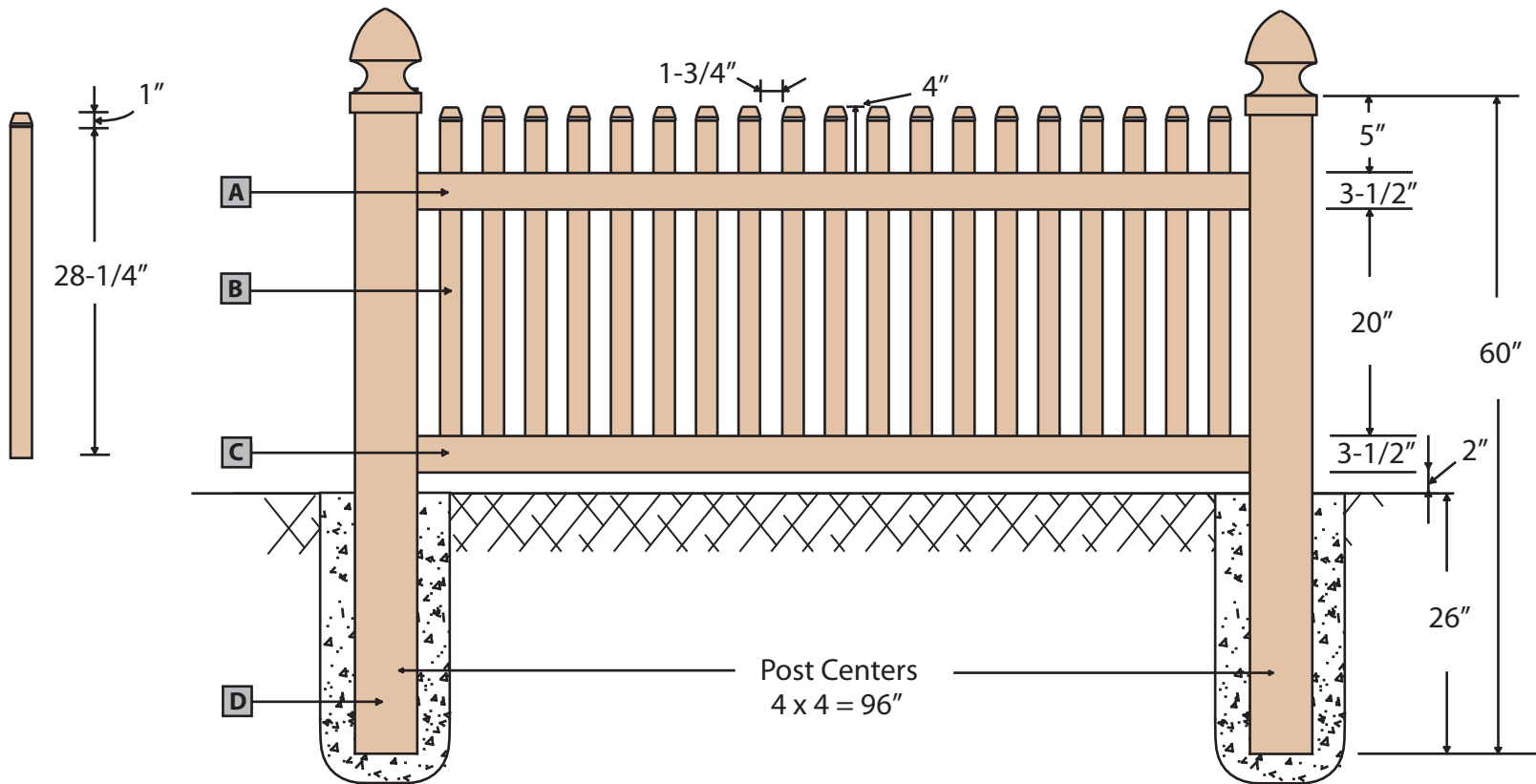


- A** Top Rail  
2" x 3-1/2" x 95-1/2"
- B** Pickets  
19 Pc. 7/8" x 3" x 28-1/4"  
Picket Caps  
19 Pc. of 7/8" x 3" x 1" Dog Ear  
Picket Caps.
- C** Bottom Rail  
2" x 3-1/2" x 95-1/2" Includes  
Reinforcement Channel
- D** Post  
4 x 4 x 60"

### SPS MaKenna 8'x3' Section



*Generations by Stephens Pipe*

### SPS MaKenna 8'x3' Section

<small>Approved By/Date</small>	<small>Revision NO.</small>
<small>Drawn By:</small> Joshua Stidham	<small>Effective Date</small>

Drawing NO.  
**PVC-MAK-ST8x3**