

A Top Rail
2" x 3-1/2" x 95-1/2"

B Pickets
15 Pc. 7/8" x 3"

Picket Lengths

#1 = 54-1/4" #5 = 49-5/8"

#2 = 53" #6 = 48-5/8"

#3 = 51-3/4" #7 = 47-3/4"

#4 = 50-5/8" #8 = 47-1/4"

(Pickets = 2 of each number
except only 1 of number 8)

Length does not include cap.

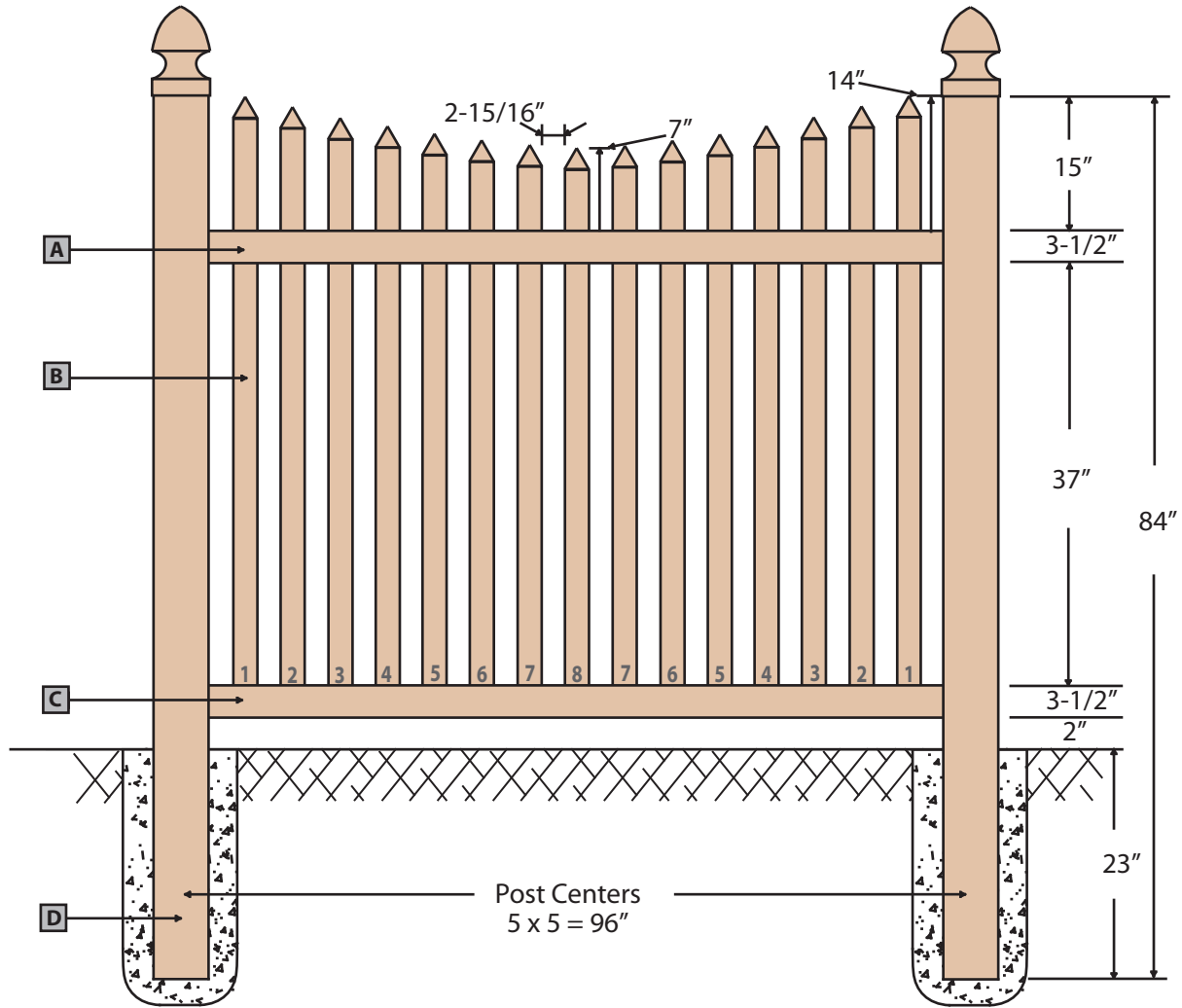
Picket Caps

15 Pc. of 7/8" x 3" x 2" Pointed
Picket Caps.

C Bottom Rail
2" x 3-1/2" x 95-1/2" Includes
Reinforcement Channel

D Post
5" x 5" x 84"

SPS Jamison 8'x5' to 4-1/2' Concave Section



Generations by Stephens Pipe

SPS Jamison 8'x5' to 4-1/2' Concave Section

Approved By

Revision NO.

Drawing NO.

Approved Date

Effective Date

PVC-JAM-CT8x5