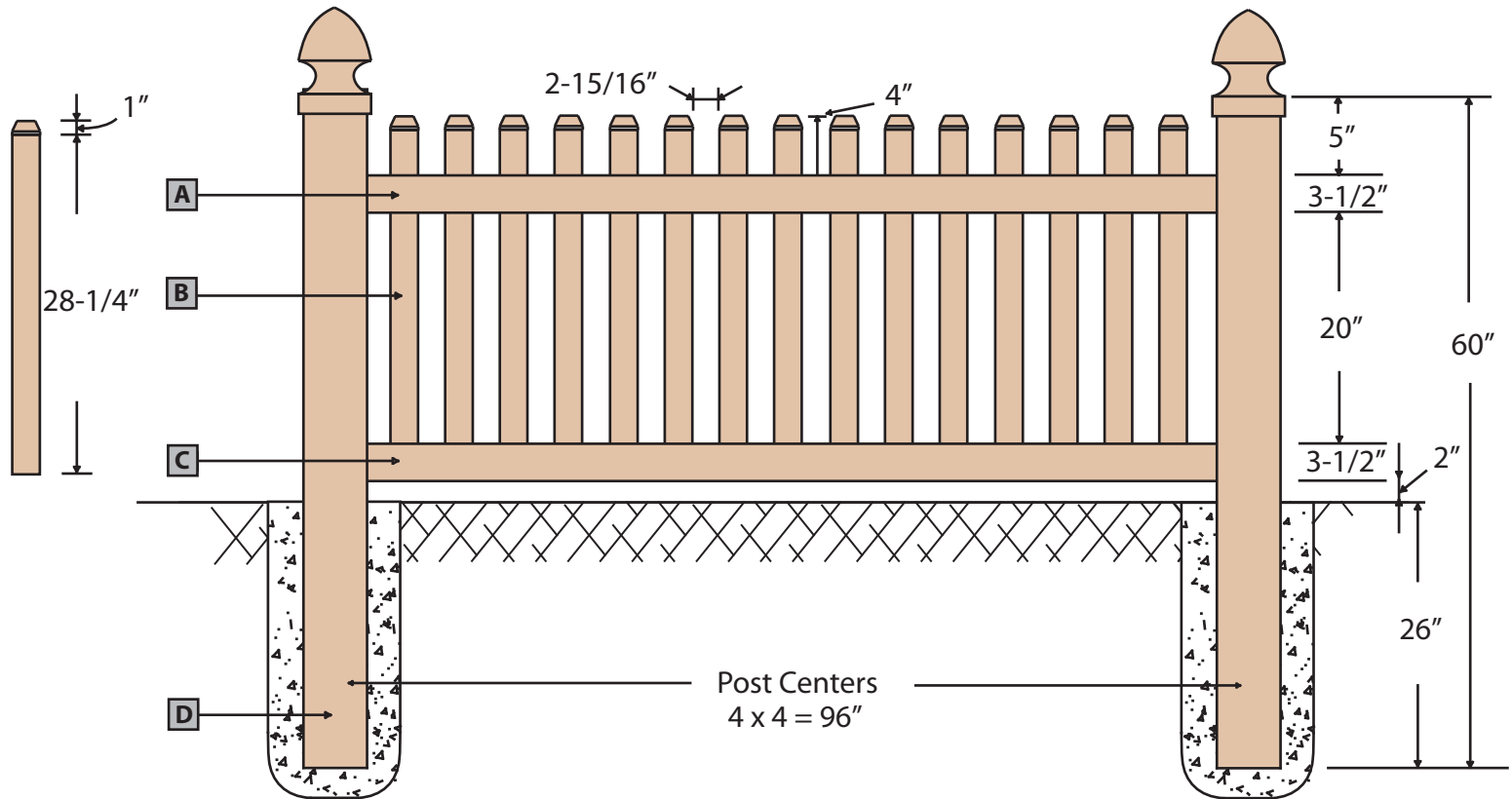


- A** Top Rail
2" x 3-1/2" x 95-1/2"
- B** Pickets
15 Pc. 7/8" x 3" x 28-1/4"
- Picket Caps
15 Pc. of 7/8" x 3" x 1" Dog Ear
Picket Caps.
- C** Bottom Rail
2" x 3-1/2" x 95-1/2" Includes
Reinforcement Channel
- D** Post
4 x 4 x 60"

SPS Chandler 8'x3' Section



Generations by Stephens Pipe

SPS Chandler 8'x3' Section

Approved By/Date

Revision NO.

Drawn By:

Joshua Stidham

Effective Date

Drawing NO.

PVC-CND-ST8x3