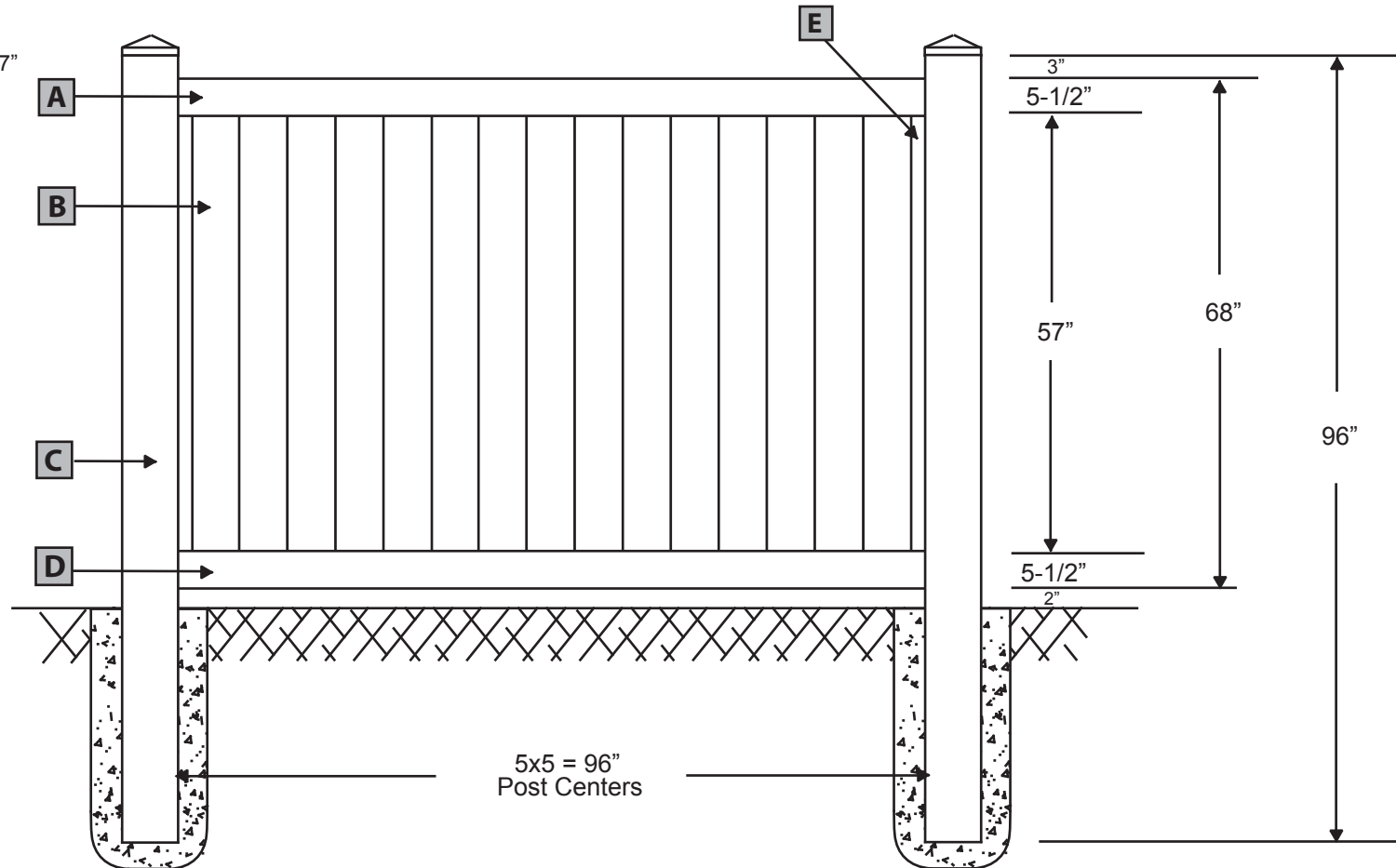


- A** Top Rail
1 Pc. 1-1/2" x 5-1/2" x 94-1/2"
- B** Pickets T & G
15 Pcs. 3/4" x 6 x 60"
- C** Post
5 x 5 x 96" or 108"
- D** Bottom Rail
1 Pc. 1-1/2" x 5-1/2" x 94-1/2"
(Includes reinforcement
Insert)
- E** U Channel
2 Pcs. 3/4" x 1-3/8" x 57"

Andrew 8x6' White



Last Revised 10-12-2012 J.L.



Generations by Stephens Pipe

SPS Andrew 8'x6' White Solid Privacy

| | | |
|-----------------------------|----------------|-------------|
| Approved By/Date | Revision NO. | Drawing NO. |
| Drawn By: Joshua Stidham | Effective Date | PVC-AND-8x6 |