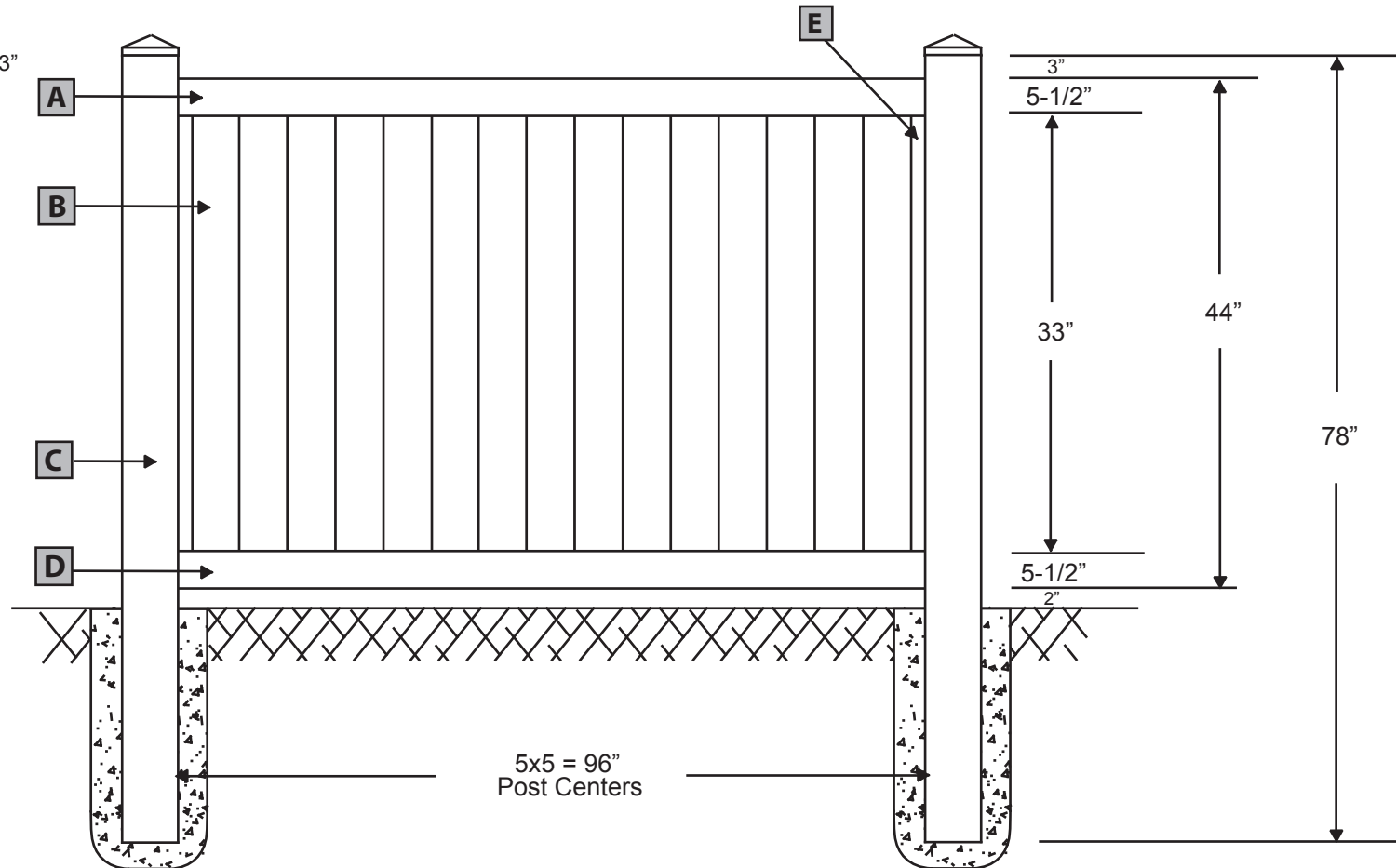


- A** Top Rail
1 Pc. 1-1/2" x 5-1/2" x 94-1/2"
- B** Pickets T & G
15 Pcs. 3/4" x 6 x 36"
- C** Post
5 x 5 x 78" or 72"
- D** Bottom Rail
1 Pc. 1-1/2" x 5-1/2" x 94-1/2"
(Includes reinforcement
Insert)
- E** U Channel
2 Pcs. 3/4" x 1-3/8" x 33"

Andrew 8' Wide x 4' Tall White



Last Revised 10-12-2012 J.L.



Generations by Stephens Pipe

SPS Andrew 8'x4' White Solid Privacy

Approved By/Date	Revision NO.	Drawing NO.
Drawn By: Joshua Stidham	Effective Date	PVC-AND-8x4