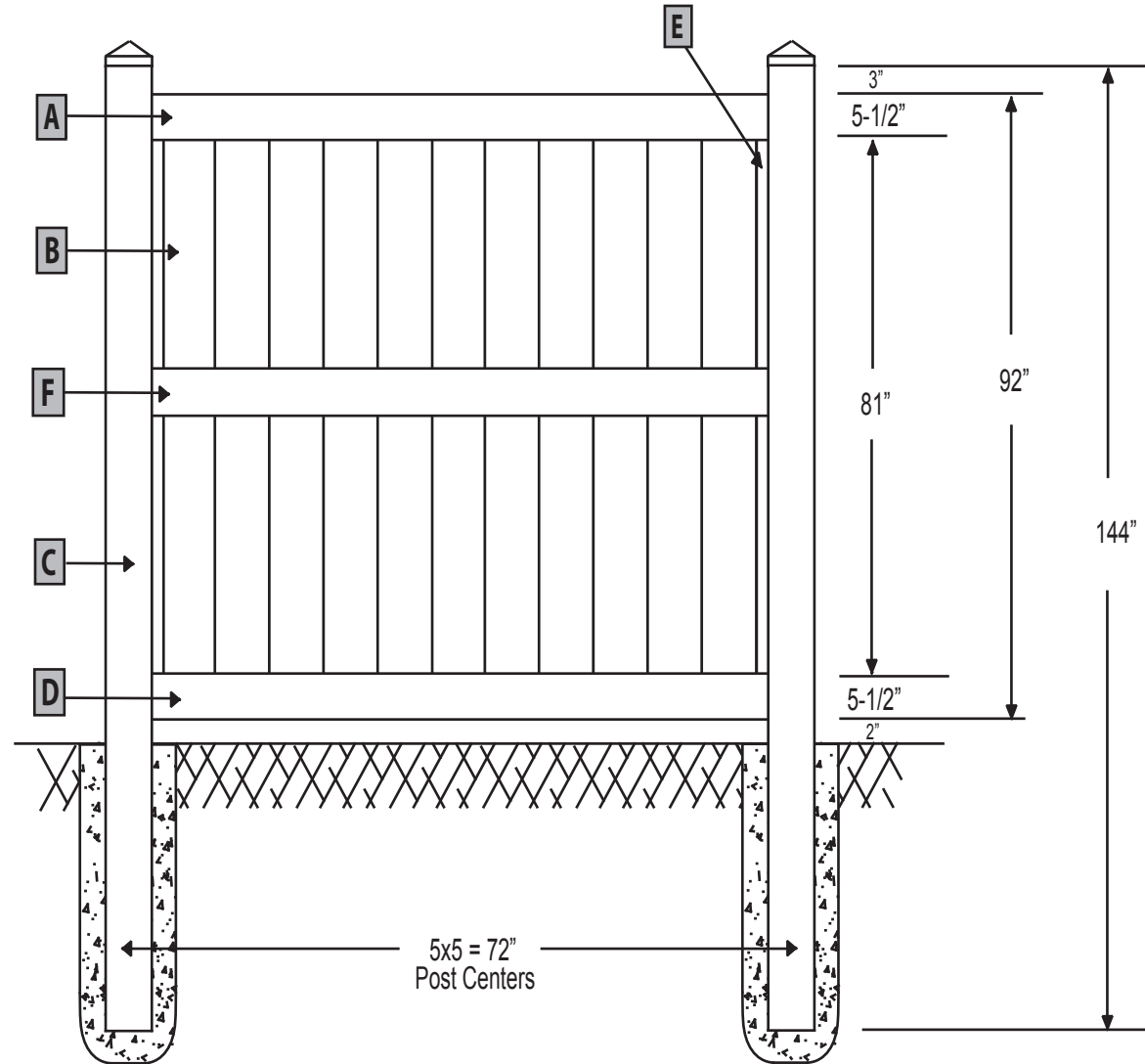


- A** Top Rail  
1 Pc. 1-1/2" x 5-1/2" x 70-1/2"
- B** Pickets T & G  
11 Pcs. 3/4" x 6 x 84"
- C** Post  
5 x 5 x 144"
- D** Bottom Rail  
1 Pc. 1-1/2" x 5-1/2" x 70-1/2"  
(Includes reinforcement rail)
- E** U Channel  
2 Pcs. 3/4" x 1-3/8" x 81"
- F** Mid Rail  
2 Pcs. 3/4" x 5-3/4" x 70-1/2"

## Andrew 6' Wide x 8' Tall White



Last Revised 07-26-2012 J.L.



Generations by Stephens Pipe

### SPS Andrew 6'x8' White Solid Privacy

Approved By/Date

Revision NO.

Drawn By:

Joshua Stidham

Effective Date

Drawing NO.

PVC-AND-6x8