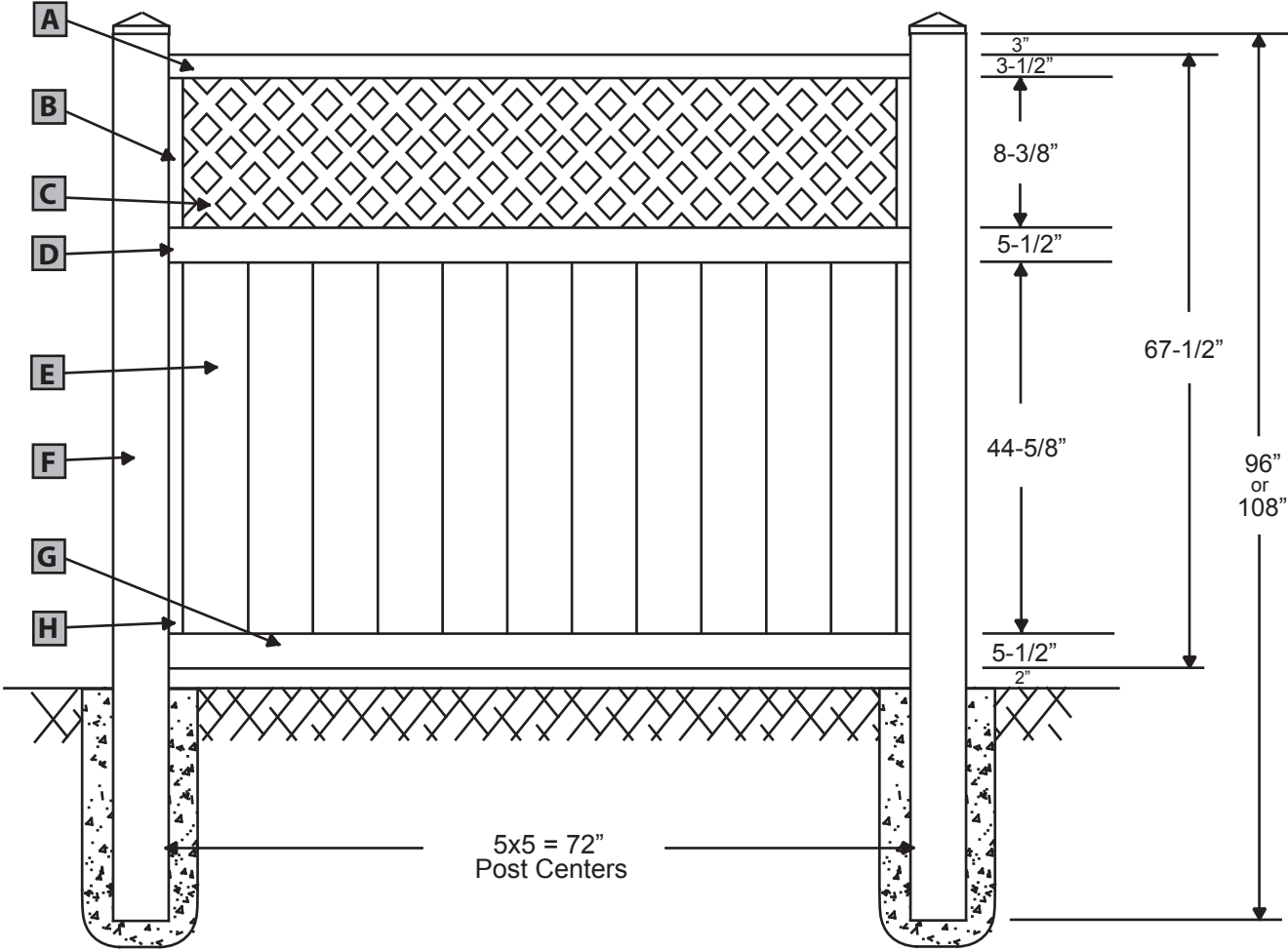


Andrew 6' x 6' White with Lattice

- A** Top Rail
1 Pc. 2" x 3-1/2" x 70-1/2"
- B** Lattice U Channel
2 Pcs. 3/4" x 1-3/8" x 8-1/2"
- C** Diagonal Lattice
1 Pc. 11-7/8" x 65-5/8"
- D** Section Top Rail
1 Pc. 1-1/2" x 5-1/2" x 70-1/2"
- E** Pickets T & G
11 Pcs. 3/4" x 6 x 48"
- F** Post
5 x 5 x 96 or 108
- G** Bottom Rail
1 Pc. 1-1/2" x 5-1/2" x 70-1/2"
(Does Not Include a reinforcement insert)
- H** U Channel
2 Pcs. 3/4" x 1-3/8" x 44-5/8"



Last Revised 10-12-2012 J.L.



Generations by Stephens Pipe

SPS Andrew 6'x6' White with Lattice Solid Privacy

Approved By/Date	Revision NO.	Drawing NO. PVC-AND-6x6L
Drawn By: Joshua Stidham	Effective Date	