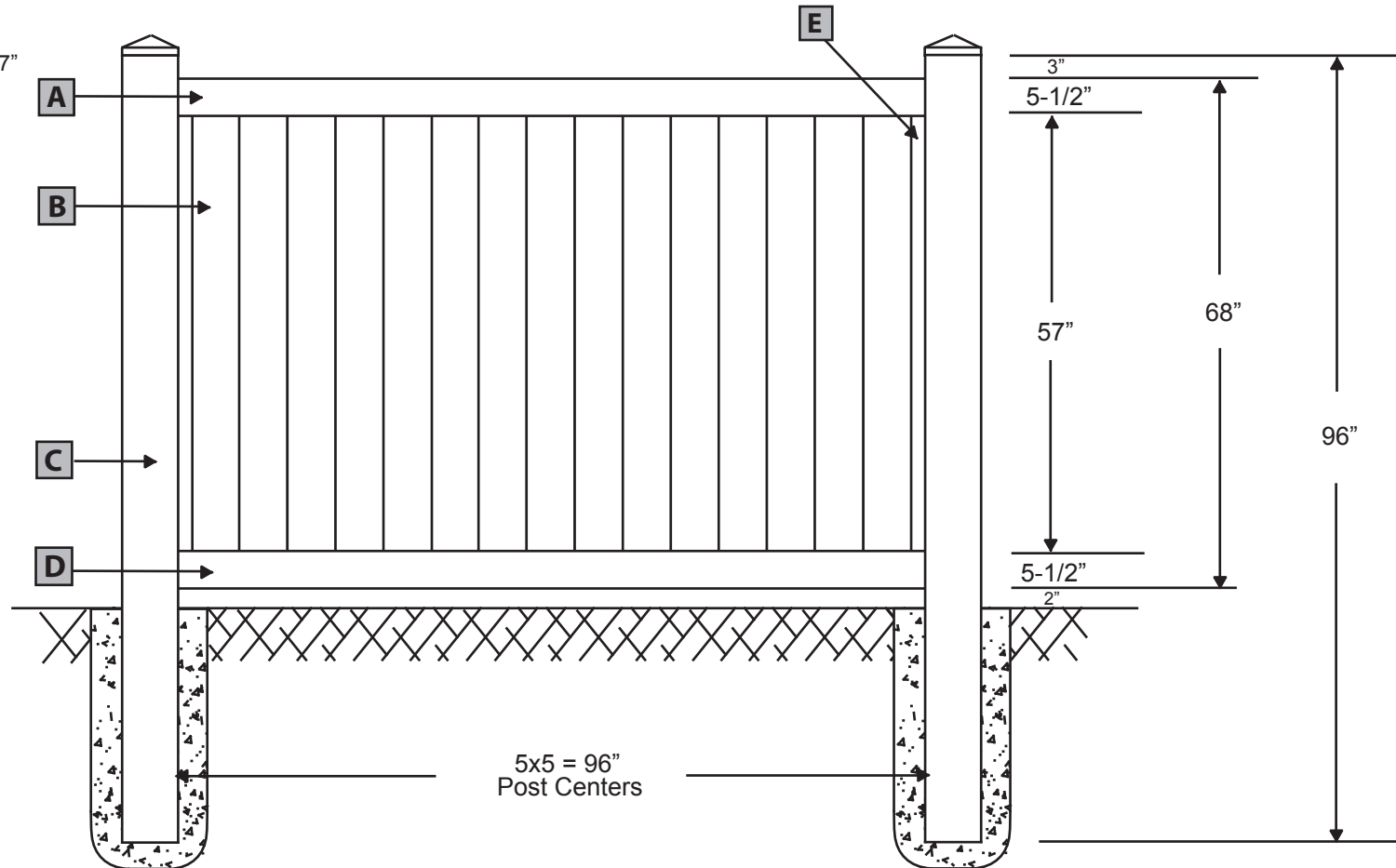


- A** Top Rail  
1 Pc. 1-1/2" x 5-1/2" x 94"
- B** Pickets T & G  
15 Pcs. 3/4" x 6 x 60"
- C** Post  
5 x 5 x 96" or 108"
- D** Bottom Rail  
1 Pc. 1-1/2" x 5-1/2" x 94"  
(Includes reinforcement  
Insert)
- E** U Channel  
2 Pcs. 3/4" x 1-3/8" x 57"

## Andrew 8x6' White



Last Revised 07-26-2012 J.L.



Generations by Stephens Pipe

### SPS Andrew 8'x6' White Solid Privacy

Approved By/Date	Revision NO.	Drawing NO.
Drawn By: Joshua Stidham	Effective Date	PVC-AND-8x6