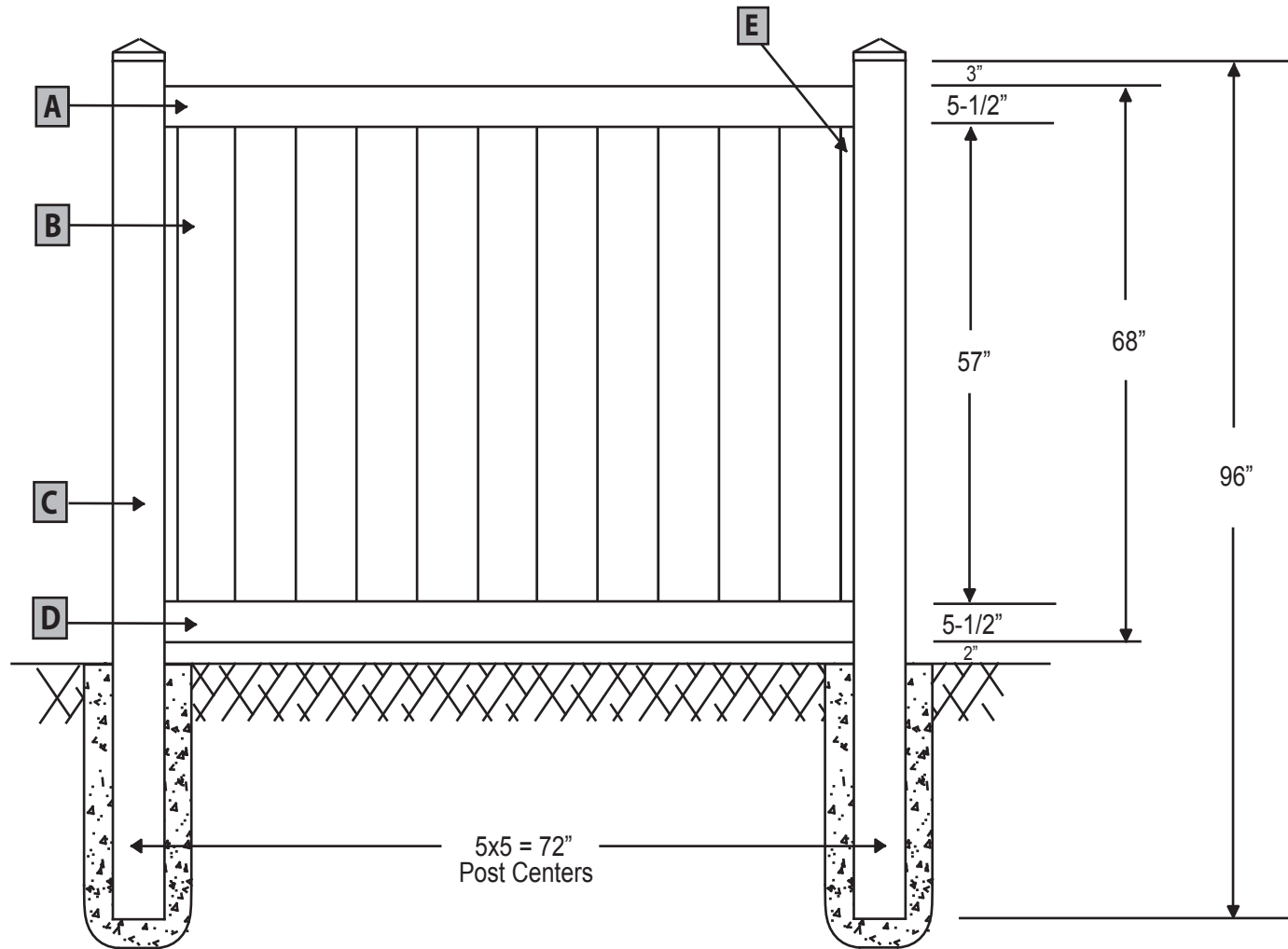


- A** Top Rail
1 Pc. 1-1/2" x 5-1/2" x 70-1/2"
- B** Pickets T & G
11 Pcs. 3/4" x 6 x 60"
- C** Post
5 x 5 x 96" or 108"
- D** Bottom Rail
1 Pc. 1-1/2" x 5-1/2" x 70-1/2"
(Does Not Include a reinforcement insert)
- E** U Channel
2 Pcs. 3/4" x 1-3/8" x 57"

Andrew 6'x6' White



Last Revised 07-25-2012 J.L.



Generations by Stephens Pipe

SPS Andrew 6'x6' Solid Privacy White

Approved By/Date	Revision NO.	Drawing NO.
Drawn By: Joshua Stidham	Effective Date	PVC-AND-6x6