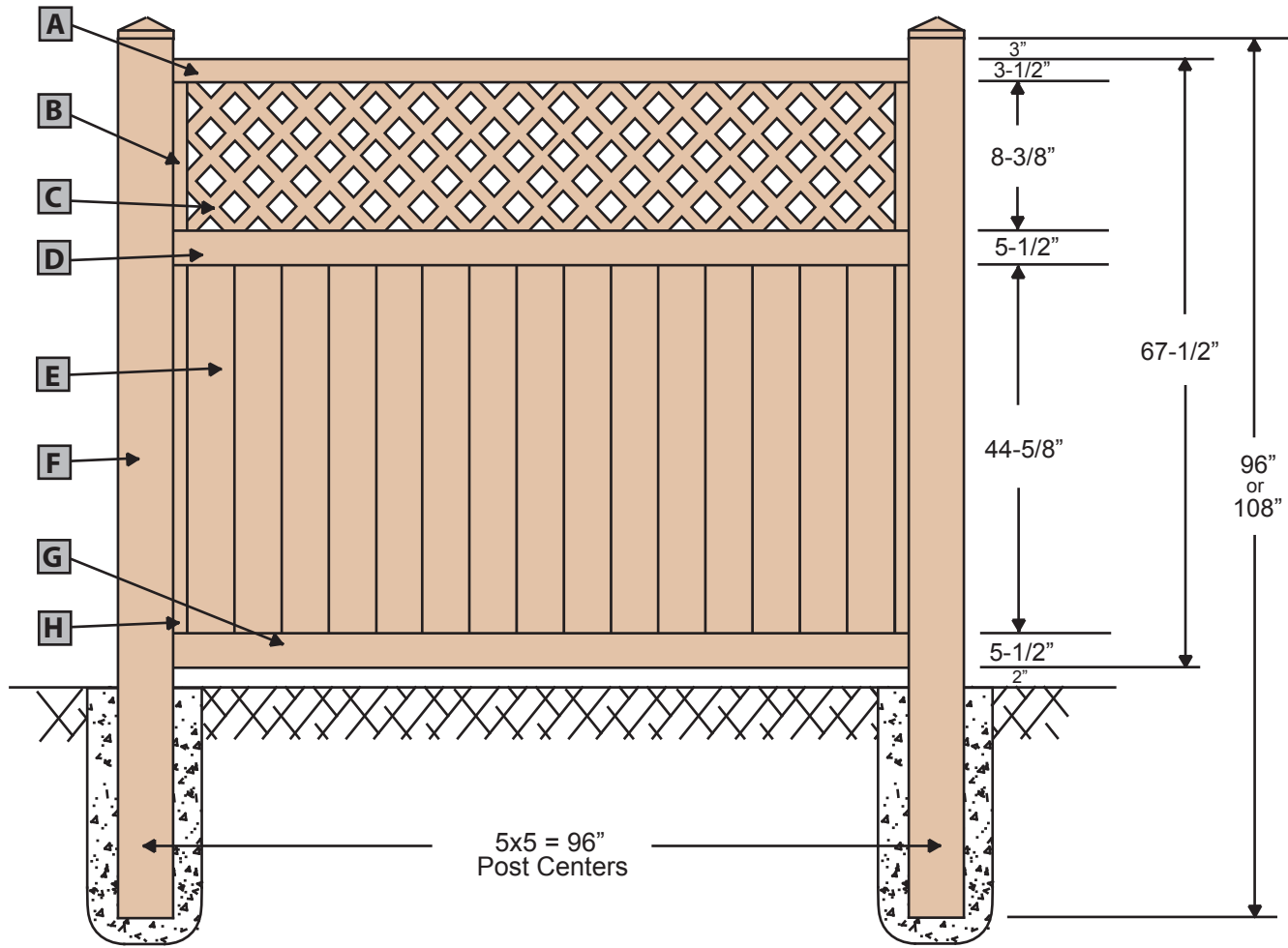


Andrew 8' x 6' with Lattice

- A** Top Rail
1 Pc. 2" x 3-1/2" x 94"
- B** Lattice U Channel
2 Pcs. 7/8" x 1-1/2" x 8-1/2"
- C** Diagonal Lattice
1 Pc. 11-7/8" x 89-5/8"
- D** Section Top Rail
1 Pc. 1-3/4" x 5-1/2" x 94"
- E** Pickets T & G
15 Pcs. 7/8" x 6 x 48"
- F** Post
5 x 5 x 96 or 108
- G** Bottom Rail
1 Pc. 1-3/4" x 5-1/2" x 94"
(Includes reinforcement Insert)
- H** U Channel
2 Pcs. 1" x 1" x 44-5/8"



Last Revised 11-01-06



Generations by Stephens Pipe

SPS Andrew 8'x6' with Lattice Solid Privacy

Approved By/Date	Revision NO.	Drawing NO. PVC-AND-8x6L
Drawn By: Joshua Stidham	Effective Date	